

ZEN PLUS

TRAILED SPRAYER
WITH ADJUSTABLE DIFFUSERS



carrarospray®

ZEN PLUS

TRAILED SPRAYER WITH ADJUSTABLE DIFFUSERS
TO TREAT PESTICIDE IN PALMETTE ORCHARDS
IN FLAT AND SLIGHT SLOPE



High performance sprayer to treat orchards with protection against hailstorm.

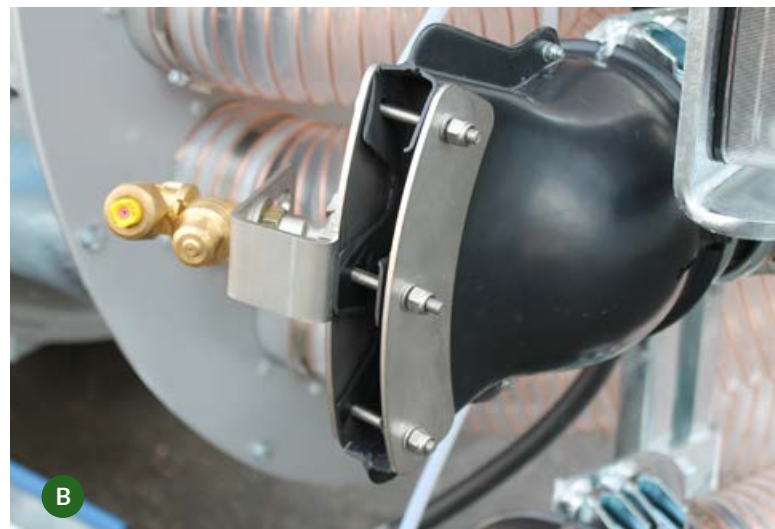
Axial fan group with high performance from 450 rpm of pto, limited noise level under 80 decibels.

Powerful axial next gen fan to permit optimal penetration of mixture in to vegetation with high density.

Nozzles out of flux to reduce turbulences and 18 diffusers on 2 different side with optimal distribution of air volume and to channel the mixture only on vegetation.

Hydraulic rasing device to adjust tower diffuser in orchards from 2,8 to 3,5 mt of height mantaining direct of flux perpendicular

HEIGHT OF VEGETATION UP TO 4,0-4,5



IDS 1201-1401

- Adjustable hydraulic height of tower with adjustable diffusers
- A** Control unit with solenoid valve
- C** Brass pump 3 membranes 137 l/m 50 bar
- D** Fan 900 mm 10 blades, frontal suction high performance low noise
- B** Gearbox 2 speed and neutral easy filling and emptying of oil double nozzles with anti drip on each diffusers albus for high low volume

- Main polyethylene tank with outside tap on a rubber platform
- By pass valve
- Washing tank
- Flip cover
- External premixer with washing tank
- Jet agitation

- E** 2" Suction filter
- Self washing filter in pressure regulator
- 2 Filters before nozzles

OPTIONAL



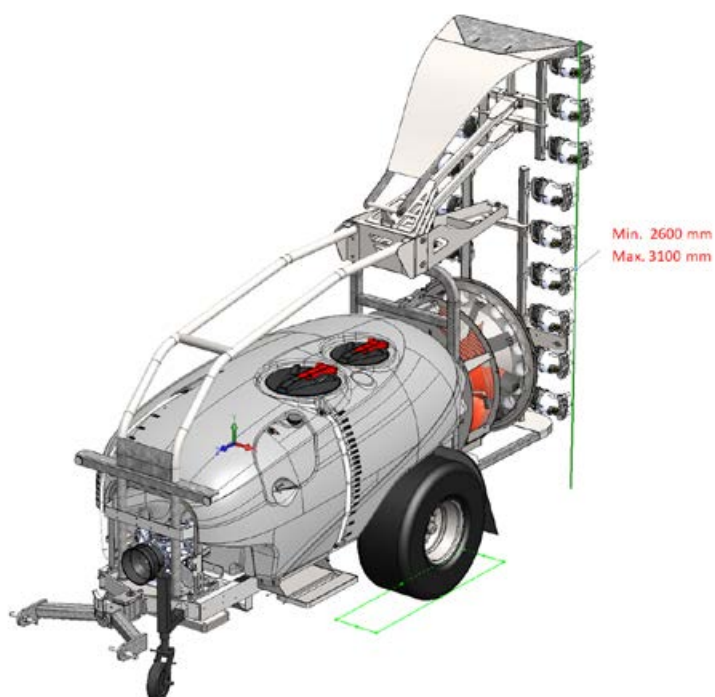
DPA Spray control BRAVO 180



Kit high concentration



Steering drawbar fotted to the arms



	TANK	FAN	LENGTH	WIDTH	HEIGHT	WEIGHT
	l	Ø mm	mm	mm	mm	kg
ZEN PLUS 1600	1600	800	4350	1750	2800	690
ZEN PLUS 2100	2100	800	4450	1400	2900	750



carrarospray®

