

ZEN ECO

TRAILED TUNNEL SPRAYER WITH
RECOVERY OF THE DRIFT



carrarospray®

ZEN ECO

TRAILED AND MODULAR TUNNEL SPRAYER FOR LIMITED TREATMENTS
IN ESPALIER TRAILED ARTICULATED TUNNEL SPRAYER
VINEYARDS WITH RECOVERY OF PRODUCT



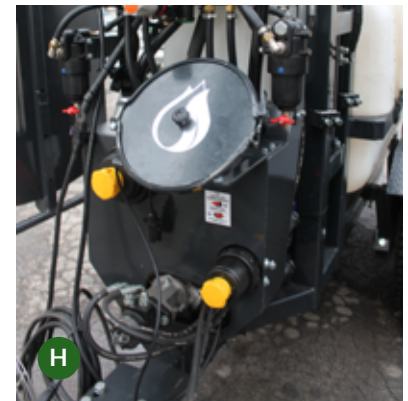
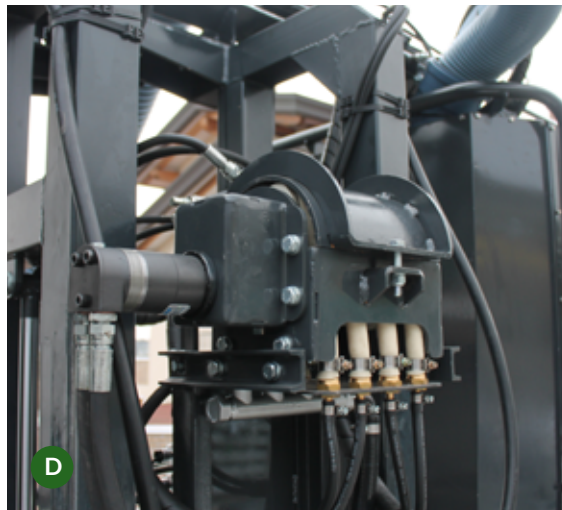
ARTICULATED MODULAR COMPOSED
OF TANKS ON TRAILED WAGON AND A
BLOWER MACHINERY ON LIFT OF THE
TRACTOR

Frame

- 2 tunnels for isolated treatment composed of 2 couple of panels assembled on amortized support
Each panel is provided of double nozzles, 1 air dispenser with accumulation chamber, 1 aluminium device for condensation of mixture, 1 collection vase and suction filter
Device to independent rise of tunnel with oligodynamic cylinders provided of lock valve
Independent handling to open and close panels

TANK

- Electric probe to read the contents of the tank
Multiple Jet agitation and 2 mixers with nozzle
Independent tank to recover the mixture
3 ways by pass valve to wash the system without dilute the mixture



sprayers

- A** High efficiency turbine d.500 mm connected to pto shaft
Gearbox 2 speed and neutral
Calibrated nozzles in ceramic for high/low volume
2 flowmeters to control delivered quantity
- G** Electric viewer of quantity in the tank and provided flow
- B** 3 membranes Volumetric pump 115 l/m 0-15 bar with oligodynamic drive
- D** Peristaltic pump with oleo dynamic drive to recover mixture

FILTERS

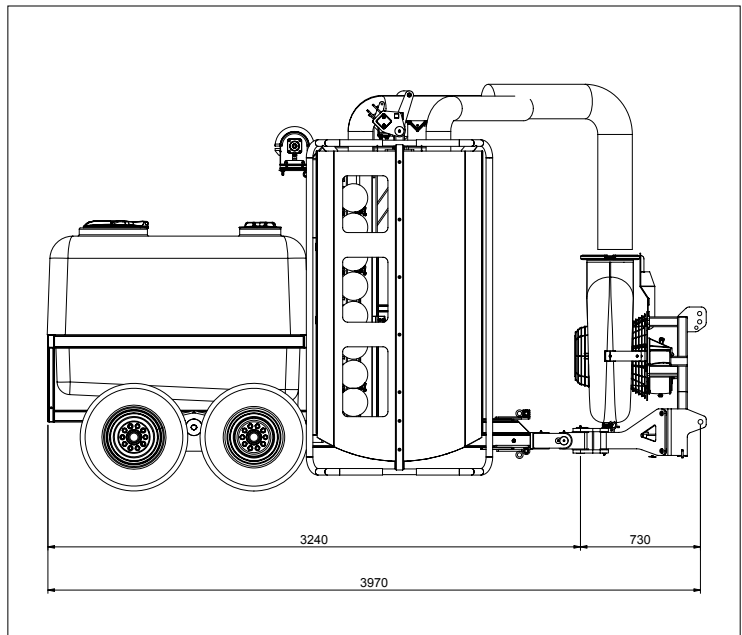
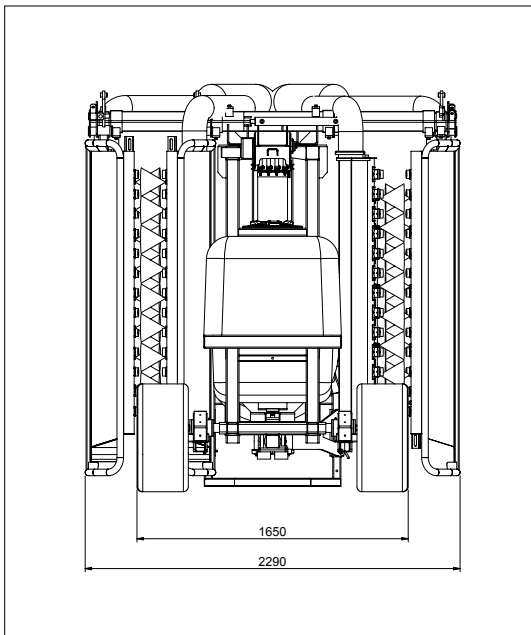
- H** 2" Main suction filter
2 batch filters before the nozzles
1" ½ Suction filter for recuperated mixture

WHEELS

- E** Low pressure wheels 26x12-12 assembled one behind the other

USE

Treatments between tunnel in espalier vineyards with rows 2,5-3,5 m
High vegetation up to 2,5



carrarospray®

